

TFSR 315L BLACK**

Item no. 19539

Document type: **Product card**
 Document date: **2019-06-05**
 Generated by: **Systemair Online Catalogue**

Description

- Swing-out
- Speed-controllable
- Easy to install
- Reliable

The TFSR range consists of roof fans with a circular base plate and are fitted with a single-inlet centrifugal fan with backward-curved blades and external rotor motors. The motors can be tilted outwards to facilitate inspection and service. They have integral on/off switch and are supplied with 1 m cable for fast connection to the mains e.g. via the connection box on the roof curb TOB or TOS.

These fans are suitable for exhaust-air ventilation systems, e.g. single and multiple dwellings, offices and day nurseries. To protect the motors from overheating, all motors have an integral thermal contact with automatic reset. The casings are manufactured from galvanized steel, with powder-coating in black colour. TFSR 125-160 are delivered with a Ø 160 spigot and TFSR 200-315 with a Ø 200. For cold climates we recommend that the fan runs continuously to avoid problems with ice.



Technical parameters

Voltage	230	V
Frequency	50	Hz
Phase	1	~
Input power (P1)	329	W
Current	1,43	A
Max. airflow	0,444	m³/s
R.p.m.	2401	r.p.m.
Max. temperature of transported air	42,2	°C
Max. temperature of transported air when speed-controlled	38	°C
Sound pressure level at 10 m	53	dB(A)
Weight	9,1	kg
Insulation class	F	
Enclosure class, motor	IP44	
Capacitor	8	µF

Accessories

Electric accessories

- [RE 1,5 Speed control \(5000\)](#)
- [REU 1.5 Speed control \(5004\)](#)
- [REE 2 Speed control \(5316\)](#)
- [REPT 6 Digital regulator \(5698\)](#)
- [RT 0-30 Room Thermostat \(5151\)](#)
- [CO2RT-R-D Transmitter \(6993\)](#)
- [Presence detector/IR24-P \(6995\)](#)
- [F251-16-60 Cookerhood transf \(5931\)](#)
- [RETP 6 Temp/Pressure regulator \(32293\)](#)
- [DTV200 \(6261\)](#)
- [STL 3 Speed controller \(84261\)](#)
- [MicroREX D21 Plus Time Switch \(17822\)](#)
- [DTV500A \(96807\)](#)

Accessories

[LDC 200-600 Silencer \(5194\)](#)

[LDC 200-900 Silencer \(5195\)](#)

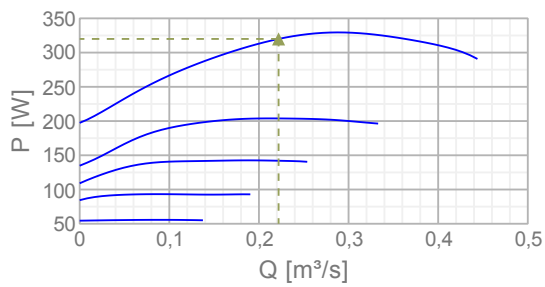
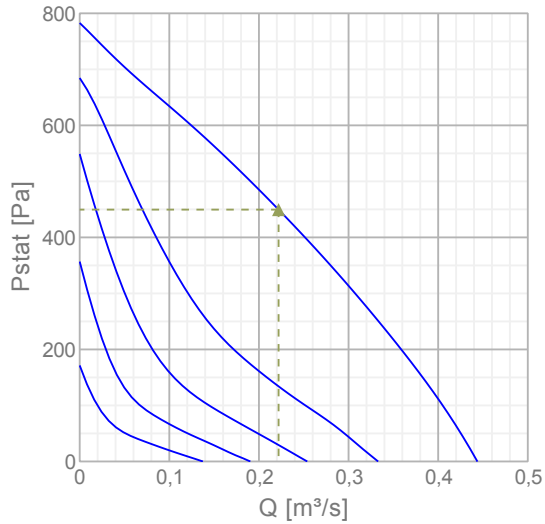
[RSK-200 Back draft damper \(5602\)](#)

[TOS 200-315 Roof curb Black \(134464\)](#)

[TOB 200-315 Roof curb Black \(134461\)](#)

Diagrams

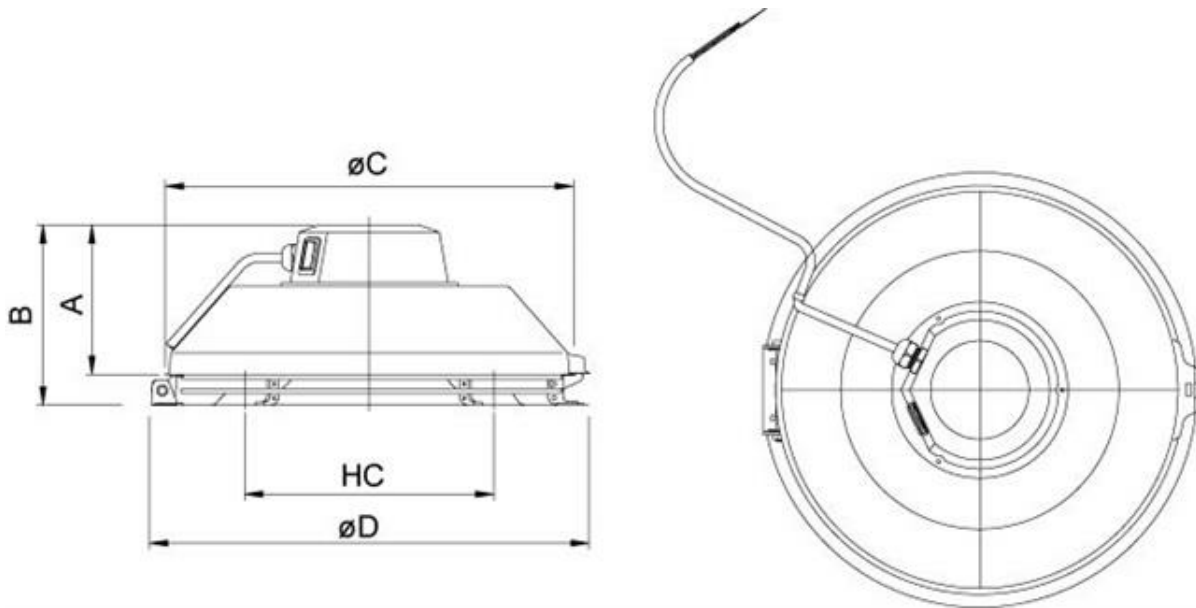
Diagrams



Max efficiency

Hydraulic data										
▲ Working air flow										0,222 m ³ /s
▲ Working static pressure										450 Pa
▲ Power										320 W
Speed										2432 r.p.m.
Current										1,39 A
SFP										1,44 W/(l/s)
Voltage										230 V
Sound power level		63	125	250	500	1k	2k	4k	8k	Tot
Inlet	dB(A)	51	70	68	75	71	67	63	54	78
Outlet	dB(A)	37	62	65	82	79	73	64	57	84

Dimensions

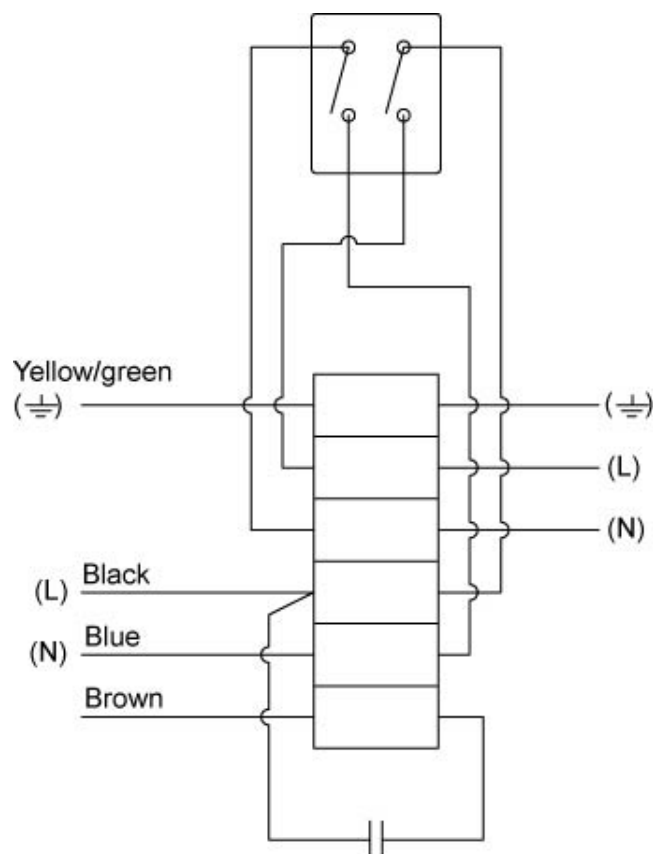


TFSR	A	B	øC	øD	HC
315M/L	160	206	404	485	250


HC = Hole diameter for fixing, ø6x4


Wiring


...



Documentation

 TFSR mounting instruction_205504_A001.pdf (286,94kB)

 Certificate S-mark TFSK_R 1309486_EN.pdf (1,77MB)

 202341_Fans_Instructions_CE_A010.pdf (1,83MB)

Specification text