

TFSR 315 M BLACK**

Item no. 27765

Version: 50 Hz

Document type: **Product card**
 Document date: **2019-06-05**
 Generated by: **Systemair Online Catalogue**

Description

- Swing-out
- Speed-controllable
- Easy to install
- Reliable

The TFSR range consists of roof fans with a circular base plate and are fitted with a single-inlet centrifugal fan with backward-curved blades and external rotor motors. The motors can be tilted outwards to facilitate inspection and service. They have integral on/off switch and are supplied with 1 m cable for fast connection to the mains e.g. via the connection box on the roof curb TOB or TOS.

These fans are suitable for exhaust-air ventilation systems, e.g. single and multiple dwellings, offices and day nurseries. To protect the motors from overheating, all motors have an integral thermal contact with electrical reset. The casings are manufactured from galvanized steel, with powder-coating in black colour.

TFSR 125-160 are delivered with a Ø 160 spigot and TFSR 200-315 with a Ø 200.

For cold climates we recommend that the fan runs continuously to avoid problems with ice.

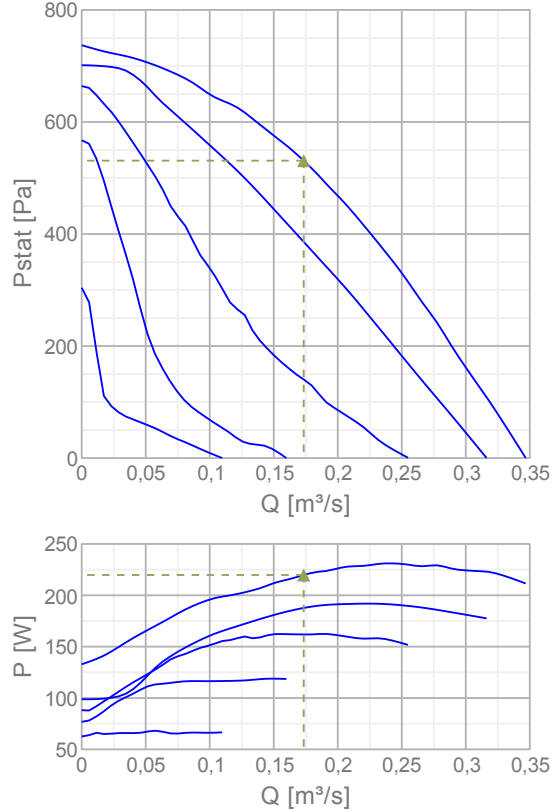


Technical parameters

Nominal data		
Voltage	230	V
Frequency	50	Hz
Phase	1	~
Input power (P1)	199	W
Current	0,879	A
Max. airflow	0,333	m³/s
R.p.m.	2505	r.p.m.
Capacitor	5	µF
Weight	8	kg
Temperature data		
Max. temperature of transported air	67,2	°C
Max. temperature of transported air when speed-controlled	60,3	°C
Sound data		
Sound pressure level at 10 m	43,1	dB(A)
Protection / Classification		
Insulation class	F	
Enclosure class, motor	IP44	
Default group		
Colour	Black	

Diagrams

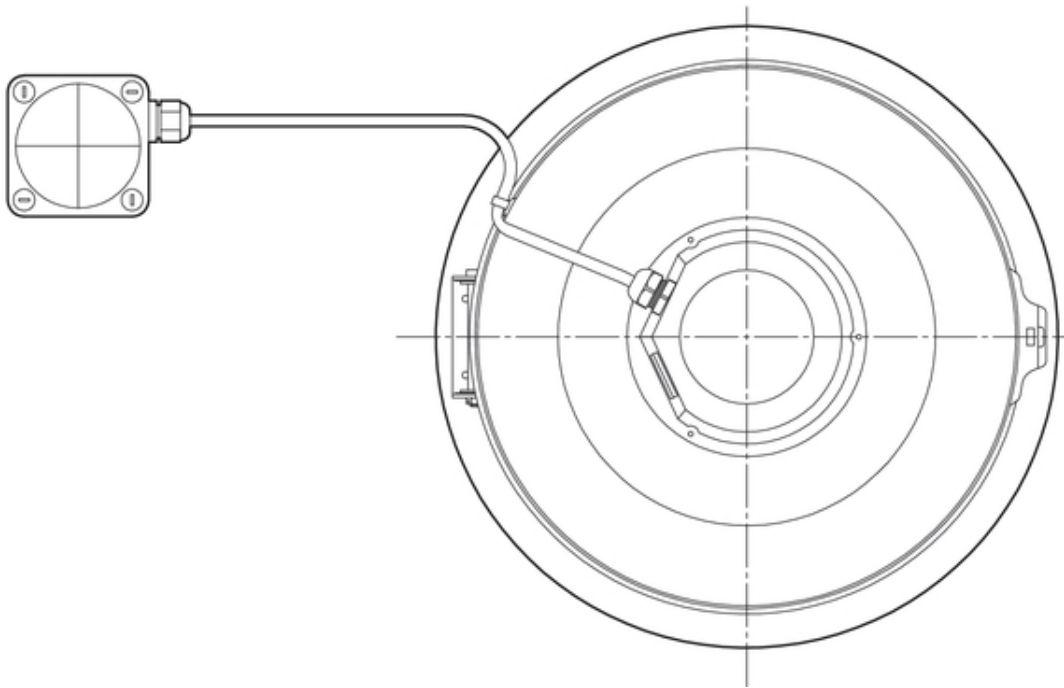
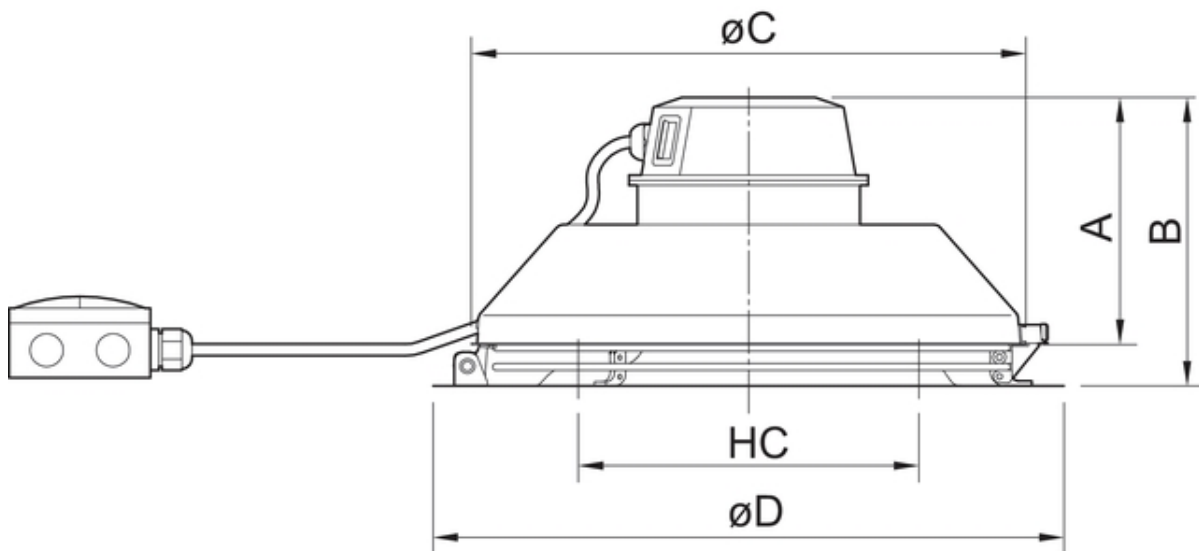
Diagrams



Max efficiency

Hydraulic data										
▲ Working air flow										0,173 m³/s
▲ Working static pressure										531 Pa
▲ Power										220 W
Speed										2798 r.p.m.
Current										0,961 A
SFP										1,27 W/(l/s)
Voltage										230 V
Sound power level		63	125	250	500	1k	2k	4k	8k	Tot
Inlet	dB(A)	57	63	66	68	68	67	63	57	74
Outlet	dB(A)	39	54	60	67	71	70	62	58	75

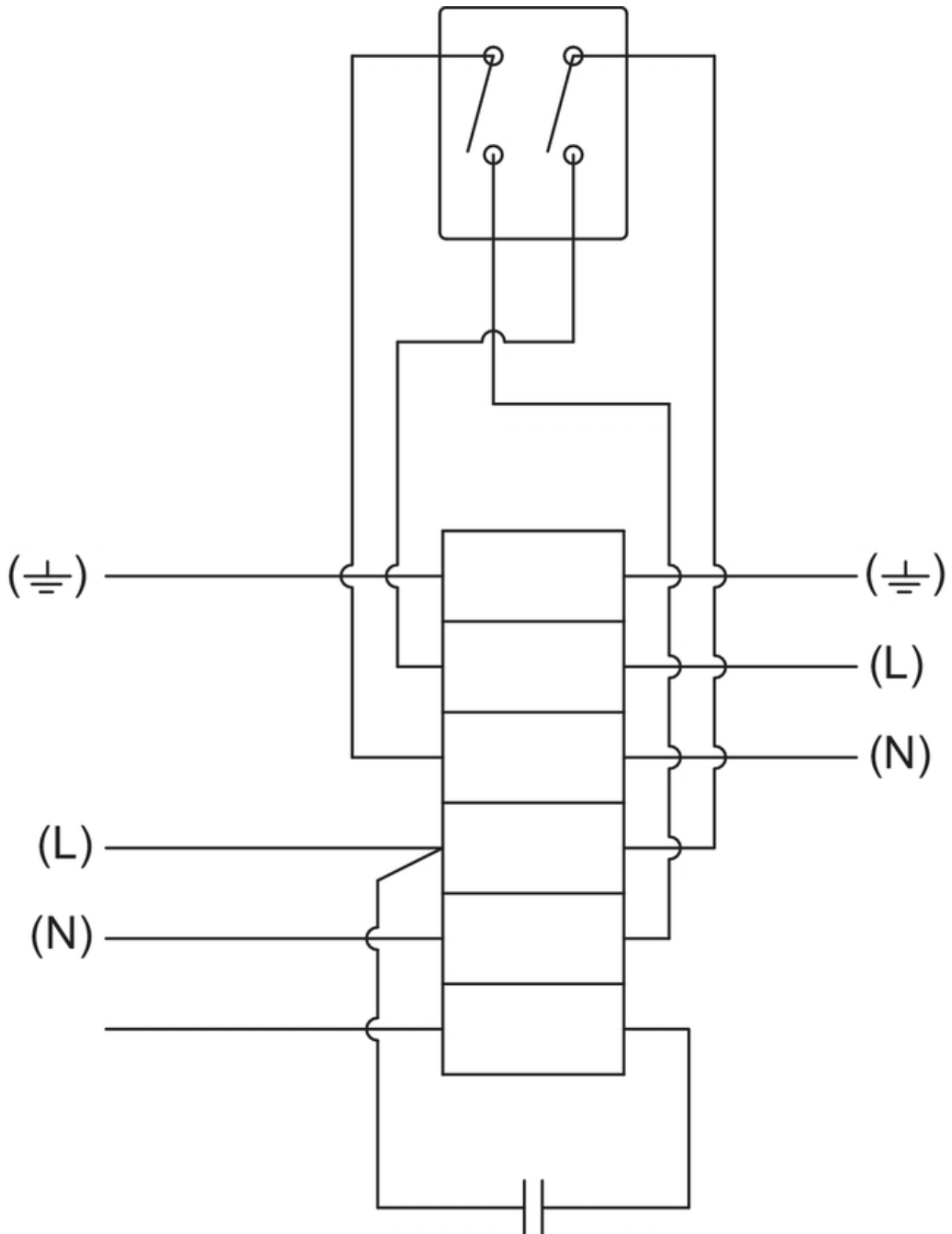
Dimensions



TFSR	A	B	$\varnothing C$	$\varnothing D$	HC
315M/L	160	206	404	485	250

HC = Hole diameter for fixing, $\varnothing 6 \times 4$

Wiring



Accessories

Electric accessories

[RE 1.5 Speed control \(5000\)](#)

[REU 1.5 Speed control \(5004\)](#)

[REE 1 Speed control \(5314\)](#)

[REPT 6 Digital regulator \(5698\)](#)

[RT 0-30 Room Thermostat \(5151\)](#)

[CO2RT-R-D Transmitter \(6993\)](#)

[Presence detector/IR24-P \(6995\)](#)

[RETP 6 Temp/Pressure regulator \(32293\)](#)

[STL 1.5 Speed controller \(84251\)](#)

[MicroREX D21 Plus Time Switch \(17822\)](#)

Accessories

[LDC 200-600 Silencer \(5194\)](#)

[LDC 200-900 Silencer \(5195\)](#)

[RSK-200 Back draft damper \(5602\)](#)

[TOS 200-315 Roof curb Black \(134464\)](#)

[TOB 200-315 Roof curb Black \(134461\)](#)

Documentation



[202341_Fans_Instructions_CE_A010.pdf \(1,83MB\)](#)



[TFSR mounting instruction_205504 _A001.pdf \(286,94kB\)](#)



[Certificate S-mark TFSK_R 1309486_EN.pdf \(1,77MB\)](#)

Specification text