

## TOS 200-315 ROOF CURB BLACK

Item no. 134464

Document type: **Product card**  
 Document date: **2019-06-04**  
 Generated by: **Systemair Online Catalogue**

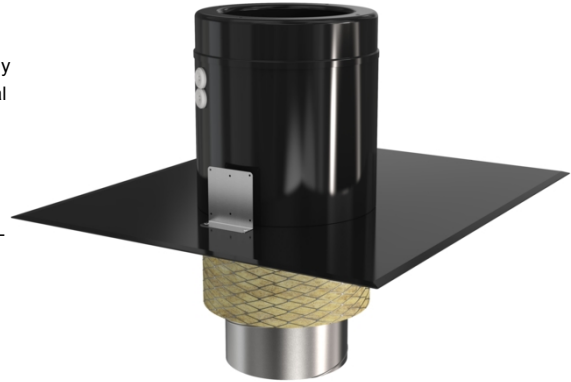
### Description

Flat covering plate

The covering plate is fitted at right angles to the roof cladding and can therefore be used on different roof pitches.

The covering plate is manufactured from powder-coated galvanised sheet steel. They are available in the standard colours of black, brick red and also uncoated. The spiral pipe connected to the cover is insulated with 30 mm mineral fibre. The roof fan TFSR is fastened to the profiling plate with 4 screws, these screws are included in TOS.

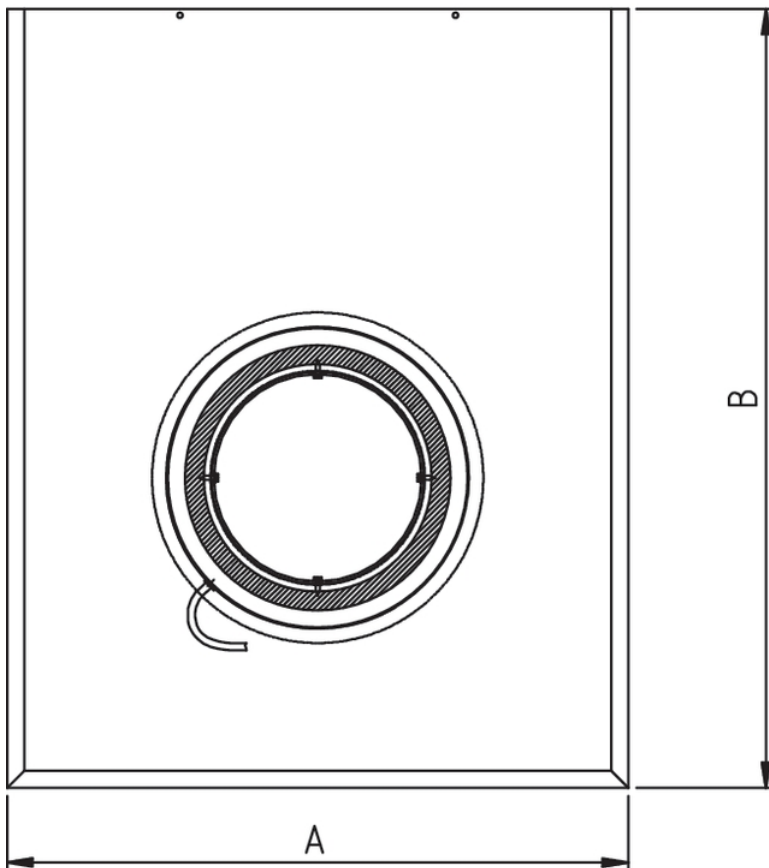
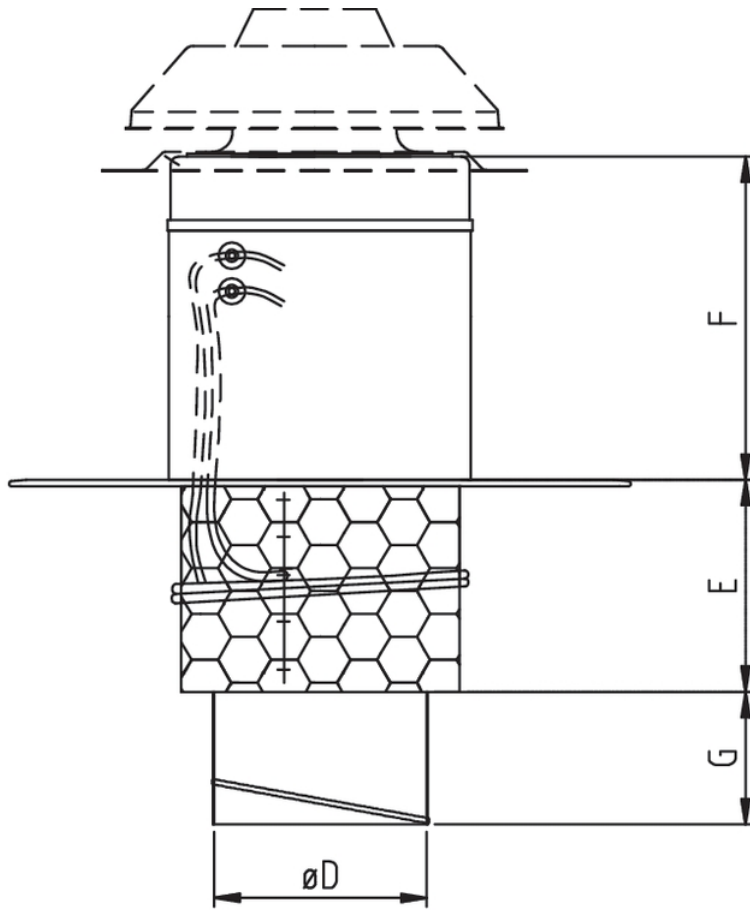
Earthed electrical connection and 3 m cable are included, as well as the TUS under-plate which is fitted on to the inside of the roof. This under-plate prevents water-damage via the roof aperture if there is leakage on the outside of the roof. The underplate should not be used if the roof is only covered with roofing felt.



### Technical parameters

Other	
Weight	8,6 kg

## Dimensions



<b>TOS</b>	<b>A</b>	<b>B</b>	<b>E</b>	<b>F</b>	<b>G</b>	<b>øD</b>
200-315	585	735	200	305	125	200

## Accessories

## Documentation



TOB, TOS, THS, THB installation instruction\_205815\_CE\_A002.pdf (1,15MB)

## Specification text