

UGS 025/355 ADAPTER FLEX.

Item no. 4356

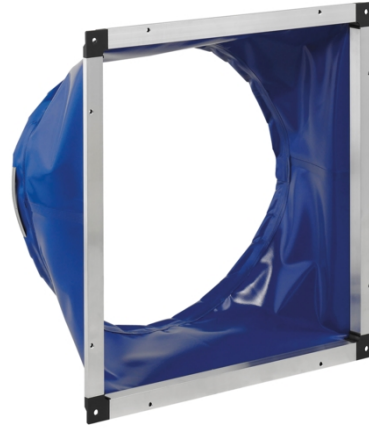
Document type: **Product card**
Document date: **2019-05-21**
Generated by: **Systemair Online Catalogue**

Description

Adaptor flexible square to circular

Reduction from square to round. The frame is manufactured from aluminium and neoprene coated fabric. For temperature up to 60°C. The circular side has a locking ring for easy installation to the duct system.

Suitable for MUB and K.. airhandling units.



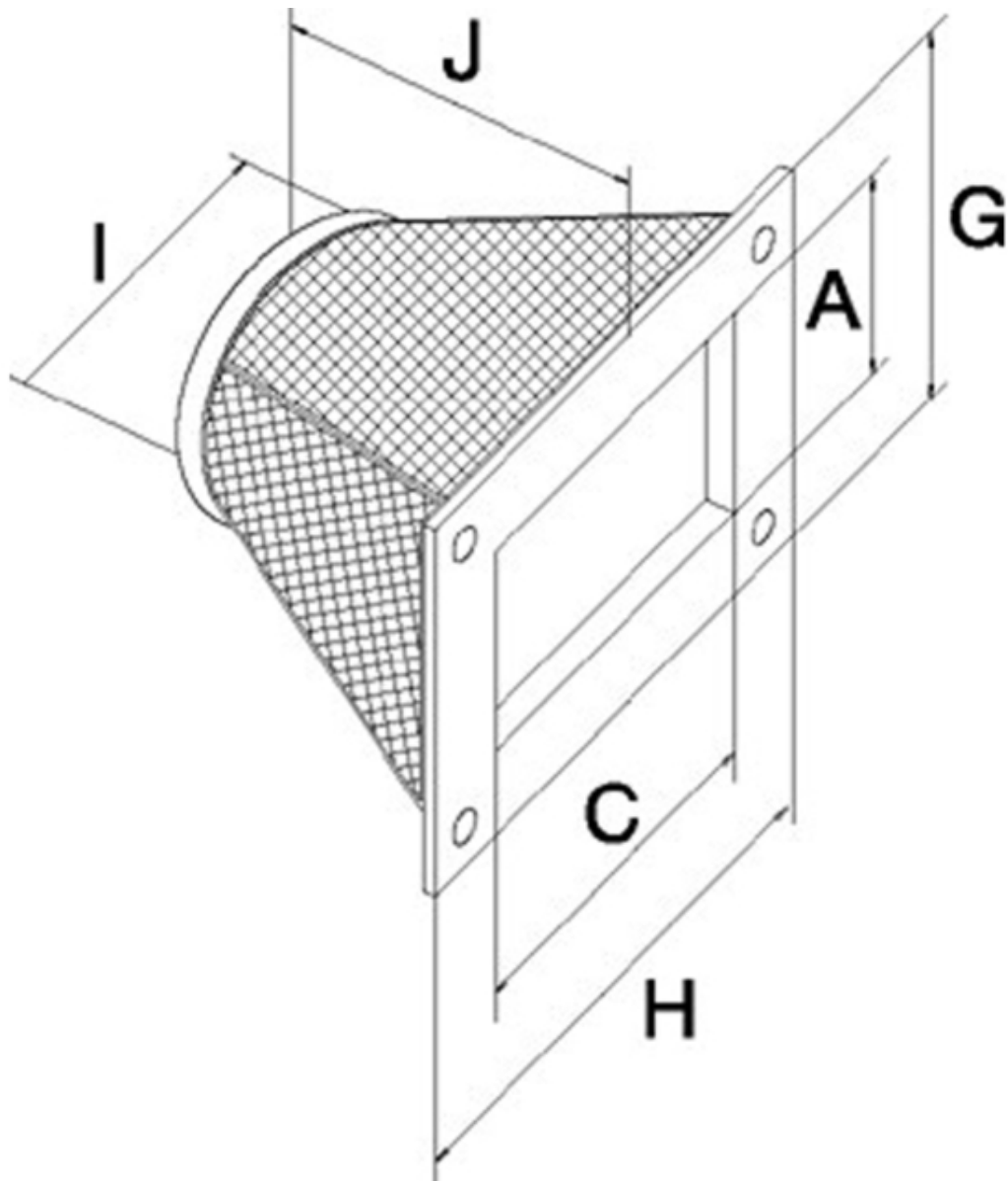
Technical parameters

Other

Weight

1 kg

Dimensions



A/C	G/H	I	J
UGS 025/355	358 418	355	210

Accessories

Documentation

Specification text