

## UGS 062/630 ADAPTER FLEX.

Item no. 4358

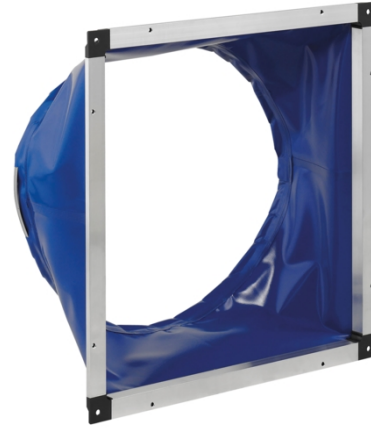
Document type: **Product card**  
Document date: **2019-05-21**  
Generated by: **Systemair Online Catalogue**

### Description

Adaptor flexible square to circular

Reduction from square to round. The frame is manufactured from aluminium and neoprene coated fabric. For temperature up to 60°C. The circular side has a locking ring for easy installation to the duct system.

Suitable for MUB and K.. airhandling units.



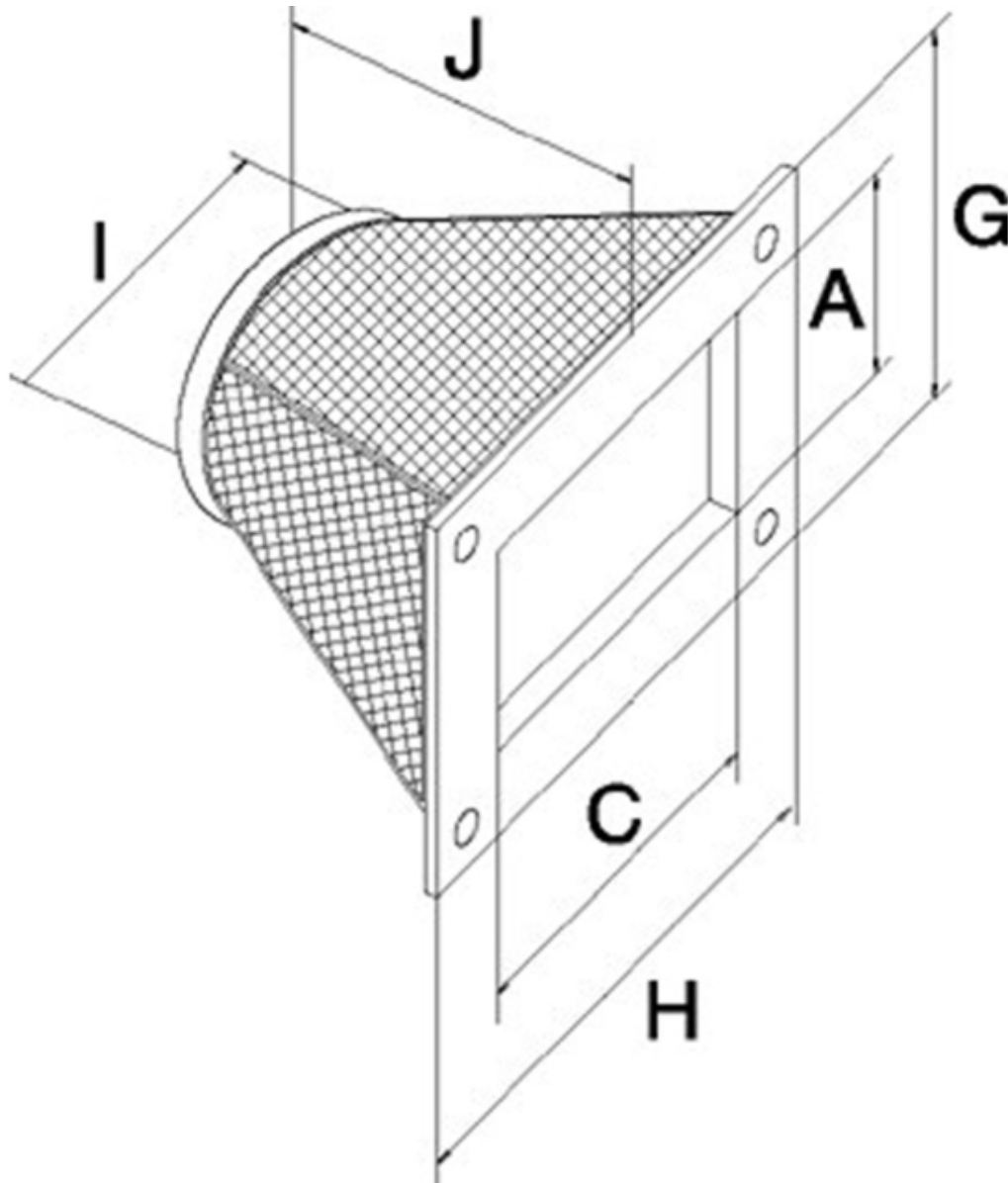
### Technical parameters

#### Other

Weight

1,8 kg

## Dimensions



A/C	G/H	I	J
UGS 062/630	658 718	630	210

## Accessories

## Documentation