

VK-80 LOUVRE SHUTTER

Item no. 5654

Document type: **Product card**
 Document date: **2019-05-15**
 Generated by: **Systemair Online Catalogue**

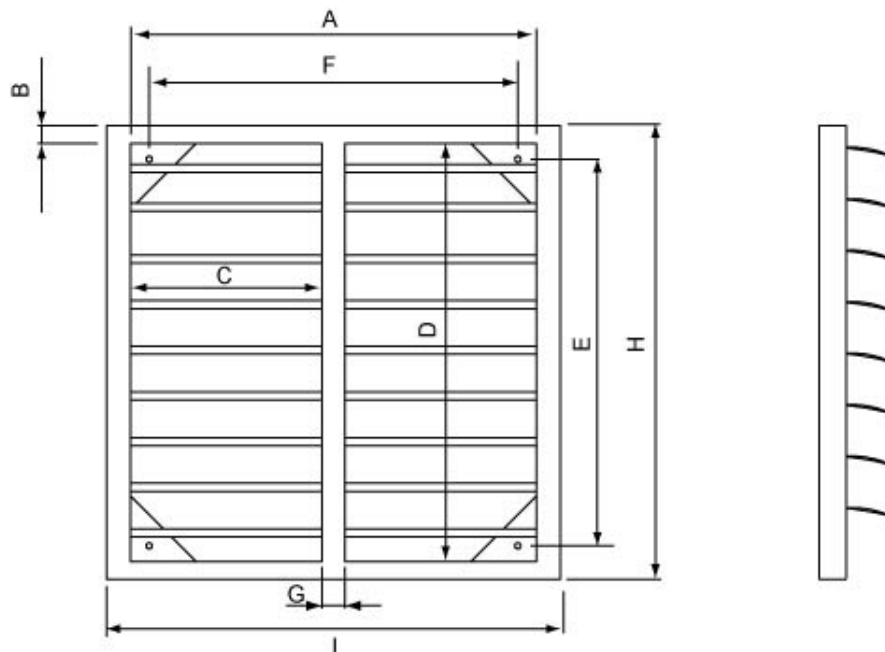
Description

Louvre shutters for vertical mounting on a wall. The profiled vanes produce a strong upward force which reduces the air resistance. This means that the vanes opens fully at low air velocities as well.

All the parts are manufactured in weather-resistant and shockproof nylon material (PVC containing special synthetic). The robust construction ensures that the vanes will not become deformed or loose. Above size 45, the vanes are fitted with a cast counterweight. Air velocity should not exceed 12 m/s. The louvre shutters are easy to install. Wall plugs and screws are included above size 15.



Dimensions



	A	B	C	D	E	F	G	H	I	J*
VK 80	800	15	2x 383	800	760	760	30	830	830	40
VK 90	920	15	2x 445	920	872	871	28	950	950	40

J* = Thickness frame

Documentation

Diagram

...

