

WATER COIL VTR 700 L

Item no. 138101

Document type: **Product card**

Document date: **2019-05-08**

Generated by: **Systemair Online Catalogue**

Description

Water-heating battery for heating up the air to desired temperature in SAVE VTR 700 L unit.

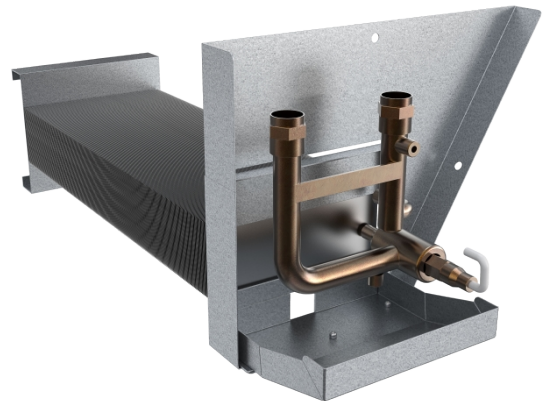
Frost protection sensor is included in the package.

The water-heating battery should be installed inside the unit, replacing the electrical re-heater if it is already mounted.

Max operating temperature 125 °C

Max operating pressure 0,8 MPa (8 Bar)

2-rows battery



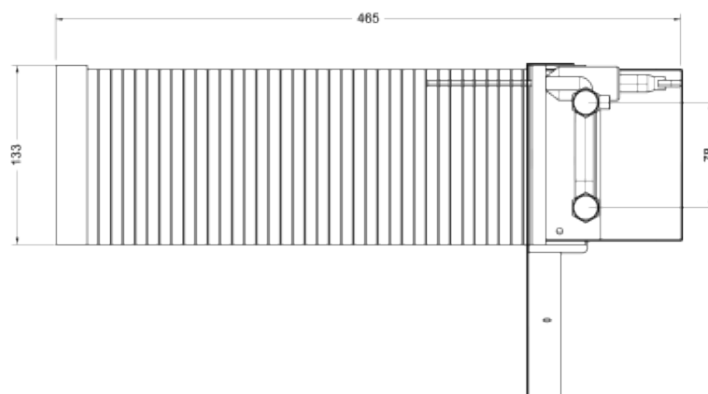
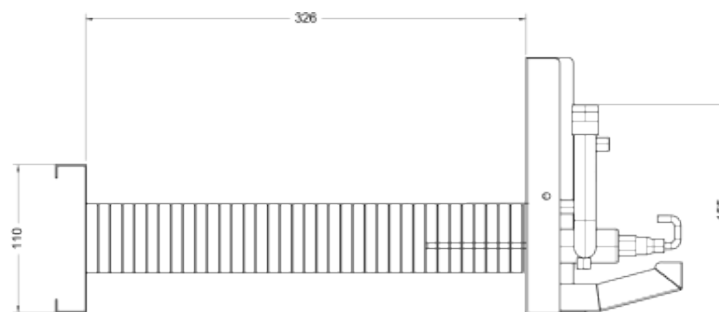
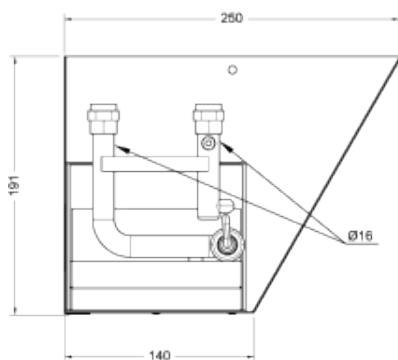
Technical parameters

Other

Weight


1,68 kg

Dimensions



Accessories

Documentation

 211599 VTR_700_Water_heater_installation_EN (A001).pdf (5,86MB)

Coil calculation

Inlet T air , °C	12	14	16	18
Air flow (m3/s)	0,186	0,186	0,186	0,186
Outlet T air at T water 60/40, °C	20,34	21,76	23,17	24,57
Pressure drop (Pa)	66,24	66,78	67,32	67,88
Water flow rate (l/s)	0,023	0,021	0,02	0,018
Water speed (m/s)	0,33	0,3	0,28	0,26
Pressure drop (kPa)	1,43	1,26	1,1	0,95
Power (kW)	1,89	1,76	1,63	1,5
Outlet T air at T water 55/30, °C	16,14	17,78	19,42	21,05
Pressure drop (Pa)	65,71	66,27	66,85	67,43
Water flow rate (l/s)	0,0091	0,0083	0,0075	0,0067
Water speed (m/s)	0,13	0,12	0,11	0,1
Pressure drop (kPa)	0,3	0,26	0,22	0,18
Power (kW)	0,94	0,86	0,78	0,69
Outlet T air at T water 60/30, °C	16,33	17,96	19,6	21,23
Pressure drop (Pa)	65,74	66,3	66,87	67,46
Water flow rate (l/s)	0,0079	0,0072	0,0066	0,0059
Water speed (m/s)	0,11	0,1	0,09	0,08
Pressure drop (kPa)	0,23	0,2	0,17	0,14
Power (kW)	0,98	0,9	0,82	0,73
Outlet T air at T water 90/70, °C	29,44	30,89	32,33	33,77
Pressure drop (Pa)	67,4	67,94	68,49	69,05
Water flow rate (l/s)	0,048	0,047	0,045	0,044
Water speed (m/s)	0,69	0,67	0,65	0,63
Pressure drop (kPa)	4,8	4,54	4,29	4,04
Power (kW)	3,95	3,83	3,71	3,59
Outlet T air at T water 35/25, °C	15,43	16,71	17,97	19,6
Pressure drop (Pa)	65,62	66,14	66,66	67,25
Water flow rate (l/s)	0,019	0,015	0,011	0,0088
Water speed (m/s)	0,27	0,21	0,15	0,13
Pressure drop (kPa)	1,12	0,75	0,43	0,31
Power (kW)	0,78	0,61	0,45	0,36