

WSD KBR-2 WEATHER ROOF F.MOTOR

Item no. 2729

Document type: **Product card**
 Document date: **2019-05-08**
 Generated by: **Systemair Online Catalogue**

Description

Weather roof for motor

Additional weather protection for the motor if mounted outside. Manufactured from seawater resistant aluminium.

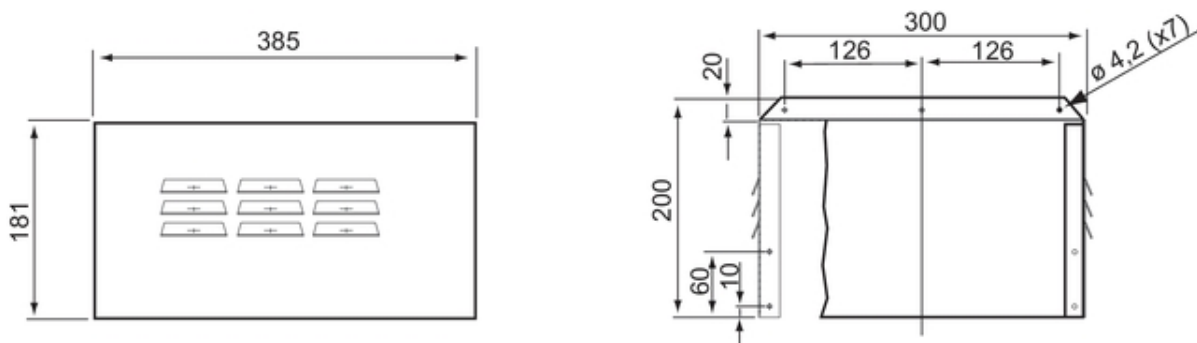
Suitable for KBT 200 - 280, KBR 315/355 2-pole.



Technical parameters

Other	
Weight	0,8 kg

Dimensions



Accessories

Documentation