

ZAC 710-43 CASED AXIAL FAN

Item no. 82871

Document type: **Product card**
 Document date: **2019-05-07**
 Generated by: **Systemair Online Catalogue**

Description

The ZAC range of short-cased axial fans is based around the Ziehl-Abegg external rotor motor and an aerodynamically designed impeller to provide a very compact, efficient unit. Key features are:-

- Diecast aluminium blades with high efficiency aerofoil blade design
- Maintenance free, sealed-for-life bearings
- Insulation class 'F' and IP54 protection
- Operating range of -40°C to 60°C or 70°C
- TK thermal protection
- 100% speed controllable motor
- Galvanised steel casing incorporating a flange at either end
- Corrosion resistant paint in pebble grey RAL7032
- IP54 terminal box located on outside of fan casing

Guards are available as an accessory.



Technical parameters

Voltage	400	V
Frequency	50	Hz
Phase	3	~
Power	2,9	kW
Current	5,3	A
Max. airflow	6,84	m³/s
R.p.m.	1290	r.p.m.
Max. temperature of transported air	65	°C
Sound pressure level at 3 m	73	dB(A)
Weight	45	kg
Insulation class	F	
Enclosure class, motor	IP54	

Accessories

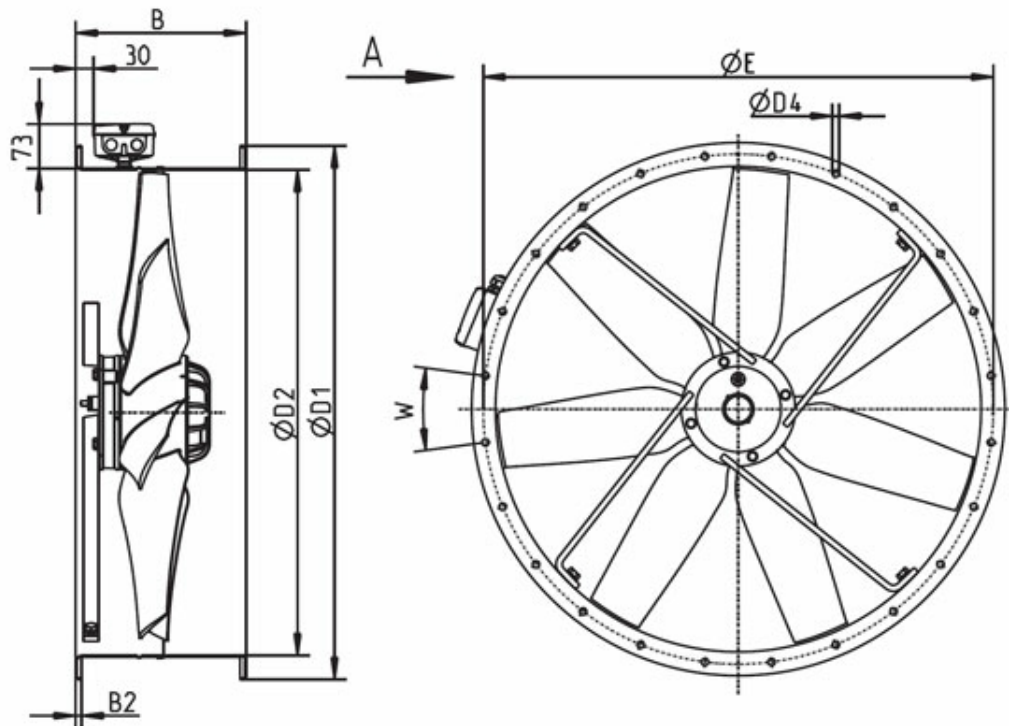
Electric accessories

[RTRD 7 speed control Systemair \(5943\)](#)

Accessories

- [FSAF710FC Flx con ea 90°C \(8638\)](#)
- [FSAFAV MP1 33 Green each \(89401\)](#)
- [FSAF710MFX Flange ea dual \(53437\)](#)
- [FSAF710FTX Mtg ft ea dual \(53098\)](#)
- [APK 710X Ancil Pack Dual Drill \(8779\)](#)

Dimensions



ZAC 710-43	B	B2	B4	D1	D2	D4	E	W
	260	10	33	785	711	11.5	751	16 X 22.5°

Wiring

106XA

Luftförderrichtung: V
 Direction of airflow: V
 Drehrichtung: Rechtslauf
 Direction of rotation: clockwise

3~ Motor mit einer Drehzahl und Thermostatschalter (falls eingebaut).

3~ motor with one speed and thermostatic switch (if built in).

Moteur triphasé à une vitesse avec interrupteur thermostatique (si incorporé).

U1	braun	brown	brun
V1	blau	blue	bleu
W1	schwarz	black	noir
U2	rot	red	rouge
V2	grau	grey	gris
W2	orange	orange	orangé
TB	weiß	white	blanc

106XA-02

106XB

Luftförderrichtung: A
 Direction of airflow: A
 Drehrichtung: Linkslauf
 Direction of rotation: counter clockwise

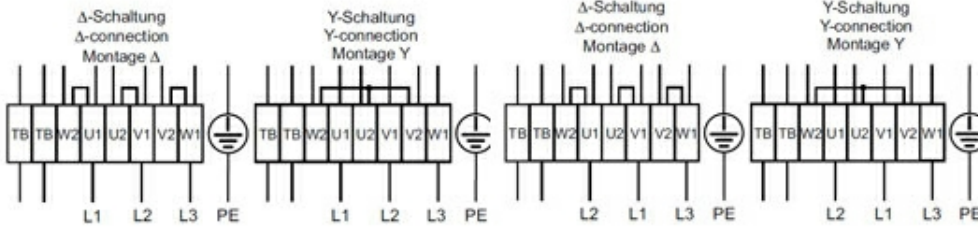
3~ Motor mit einer Drehzahl und Thermostatschalter (falls eingebaut).

3~ motor with one speed and thermostatic switch (if built in).

Moteur triphasé à une vitesse avec interrupteur thermostatique (si incorporé).

U1	braun	brown	brun
V1	blau	blue	bleu
W1	schwarz	black	noir
U2	rot	red	rouge
V2	grau	grey	gris
W2	orange	orange	orangé
TB	weiß	white	blanc

106XB-02



Anschlusschaltbild im Anschlusskasten aufbewahren.
 Keep wiring diagram in terminal box.
 Conserver le schéma de raccordement dans la boîte à bornes.

Anschlusschaltbild im Anschlusskasten aufbewahren.
 Keep wiring diagram in terminal box.
 Conserver le schéma de raccordement dans la boîte à bornes.

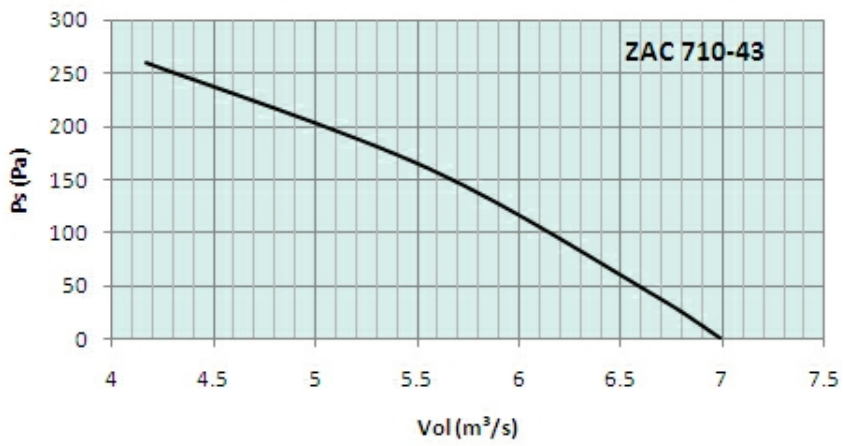
Documentation

Operating Instruction axial fans L-BAL-001-GB[1].pdf (117,64kB)

Acoustics

Frequency (Hz)	63	125	250	500	1000	2000	4000	8000	16000	dBW Total	dBA Total	dBA @ 3m
Sound Power (dBW)	80	87	86	88	89	86	83	79	75	95	93	73

Diagram



Specification text