

ZAC 800-63 CASED AXIAL FAN

Item no. 8289

Document type: **Product card**
 Document date: **2019-05-07**
 Generated by: **Systemair Online Catalogue**

Description

The ZAC range of short-cased axial fans is based around the Ziehl-Abegg external rotor motor and an aerodynamically designed impeller to provide a very compact, efficient unit. Key features are:-

- Diecast aluminium blades with high efficiency aerofoil blade design
- Maintenance free, sealed-for-life bearings
- Insulation class 'F' and IP54 protection
- Operating range of -40°C to 60°C or 70°C
- TK thermal protection
- 100% speed controllable motor
- Galvanised steel casing incorporating a flange at either end
- Corrosion resistant paint in pebble grey RAL7032
- IP54 terminal box located on outside of fan casing

Guards are available as an accessory.



Technical parameters

Voltage	400	V
Frequency	50	Hz
Phase	3	~
Input power (P1)	1400	W
Current	2,7	A
Max. airflow	6,32	m³/s
R.p.m.	900	r.p.m.
Max. temperature of transported air	60	°C
Max. temperature of transported air when speed-controlled	60	°C
Sound pressure level at 3 m	62	dB(A)
Weight	39	kg
Insulation class	F	
Enclosure class, motor	IP54	

Accessories

Electric accessories

[RTRD 4 Speed cont. Systemair \(5942\)](#)

Accessories

[FSAF800FTX Mtg ft ea dual \(8617\)](#)

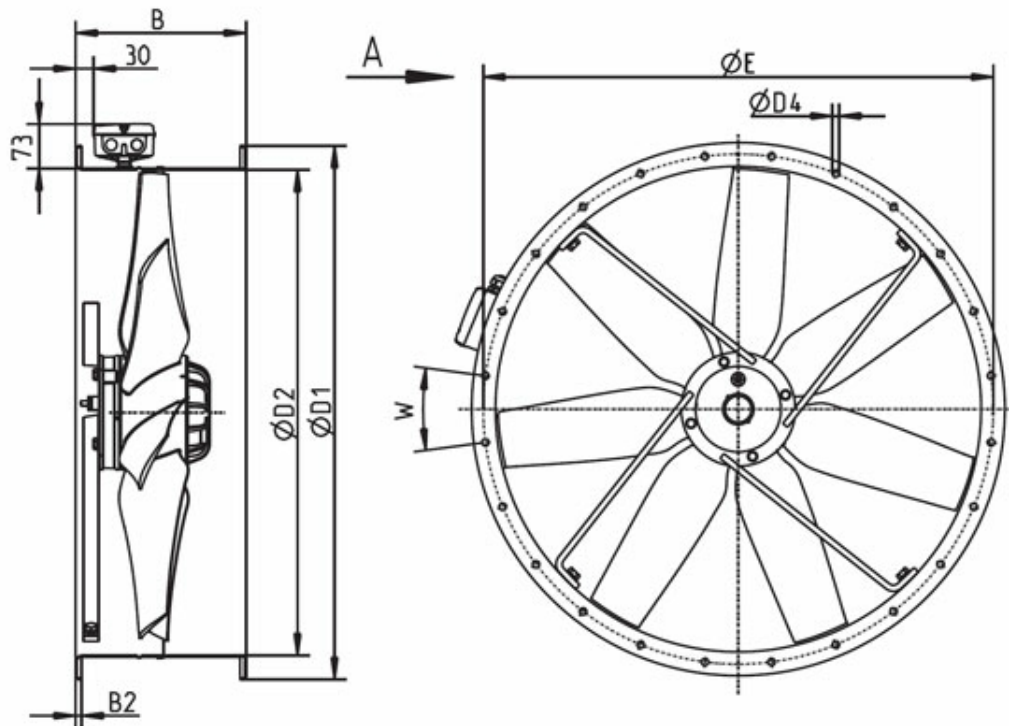
[FSAF800FC Flx con ea 90°C \(8639\)](#)

[FSAFAV MP1 33 Green each \(89401\)](#)

[FSAF800MFX Flange ea dual \(53087\)](#)

[APK 800X Ancil Pack Dual Drill \(8824\)](#)

Dimensions



ZAC 800-63	B	B2	B4	D1	D2	D4	E	W
	280	10	33	875	797	11.5	837	24 X 15°

Wiring

106XA

Luftförderrichtung: V
 Direction of airflow: V
 Drehrichtung: Rechtslauf
 Direction of rotation: clockwise

3~ Motor mit einer Drehzahl und Thermostatschalter (falls eingebaut).

3~ motor with one speed and thermostatic switch (if built in).

Moteur triphasé à une vitesse avec interrupteur thermostatique (si incorporé).

U1	braun	brown	brun
V1	blau	blue	bleu
W1	schwarz	black	noir
U2	rot	red	rouge
V2	grau	grey	gris
W2	orange	orange	orangé
TB	weiß	white	blanc

106XA-02

106XB

Luftförderrichtung: A
 Direction of airflow: A
 Drehrichtung: Linkslauf
 Direction of rotation: counter clockwise

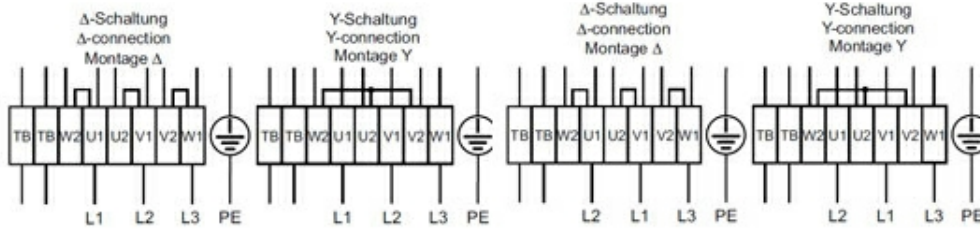
3~ Motor mit einer Drehzahl und Thermostatschalter (falls eingebaut).

3~ motor with one speed and thermostatic switch (if built in).

Moteur triphasé à une vitesse avec interrupteur thermostatique (si incorporé).

U1	braun	brown	brun
V1	blau	blue	bleu
W1	schwarz	black	noir
U2	rot	red	rouge
V2	grau	grey	gris
W2	orange	orange	orangé
TB	weiß	white	blanc

106XB-02



Anschlusschaltbild im Anschlusskasten aufbewahren.
 Keep wiring diagram in terminal box.
 Conserver le schéma de raccordement dans la boîte à bornes.

Anschlusschaltbild im Anschlusskasten aufbewahren.
 Keep wiring diagram in terminal box.
 Conserver le schéma de raccordement dans la boîte à bornes.

Documentation

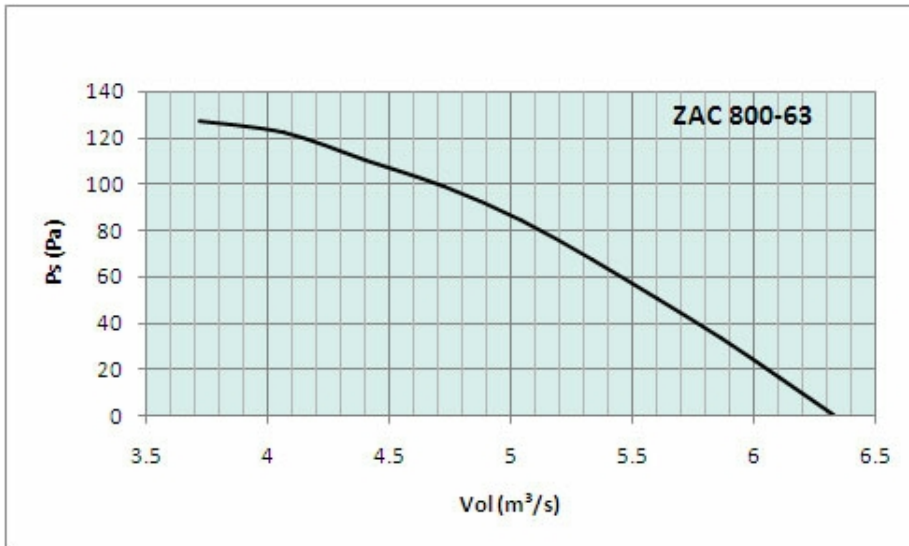


Operating Instruction axial fans L-BAL-001-GB[1].pdf (117,64kB)

Acoustics

Frequency (Hz)	63	125	250	500	1000	2000	4000	8000	16000	dBW Total	dBA Total	dBA @ 3m
Sound Power (dBW)	72	83	79	75	75	77	74	64	59	86	82	62

Diagram



Specification text