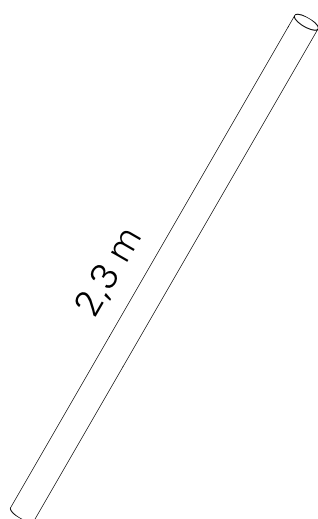
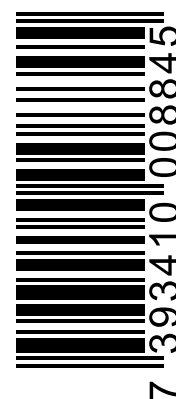


# Post for freestanding installation

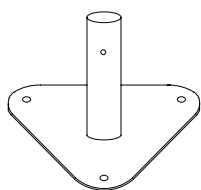
## IHP

## 16970

### SEG 85 701 39



x1



x1



x1



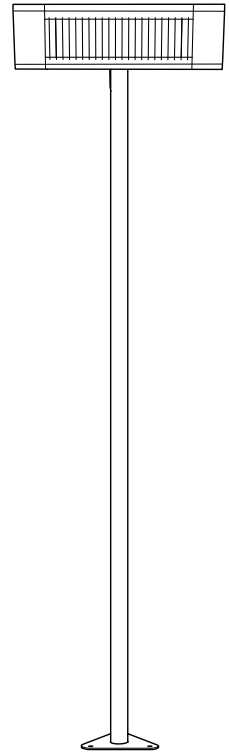
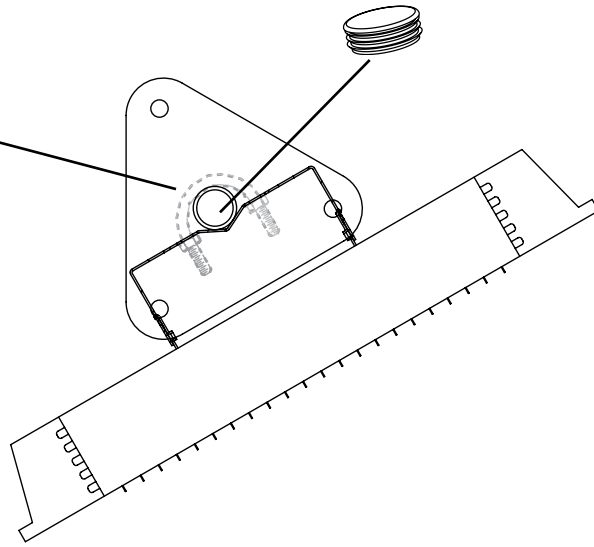
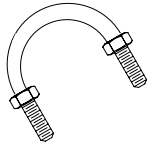
x1



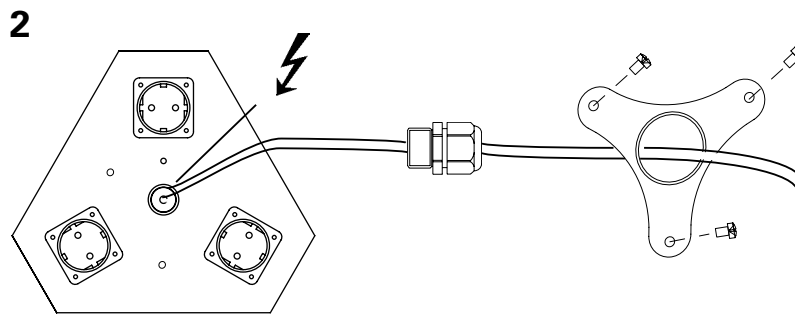
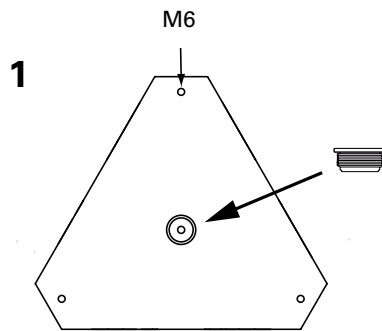
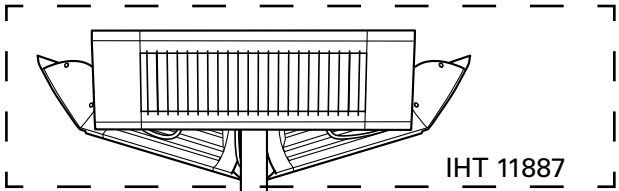
x1

**A**

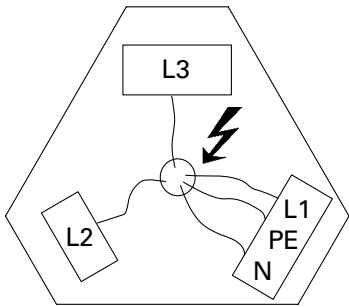
NOT INCLUDED



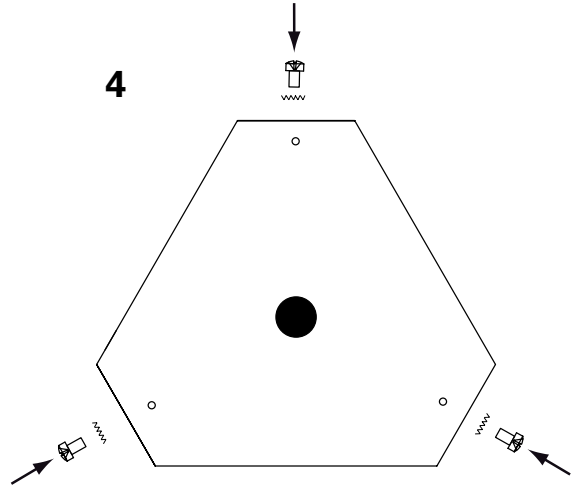
**B**



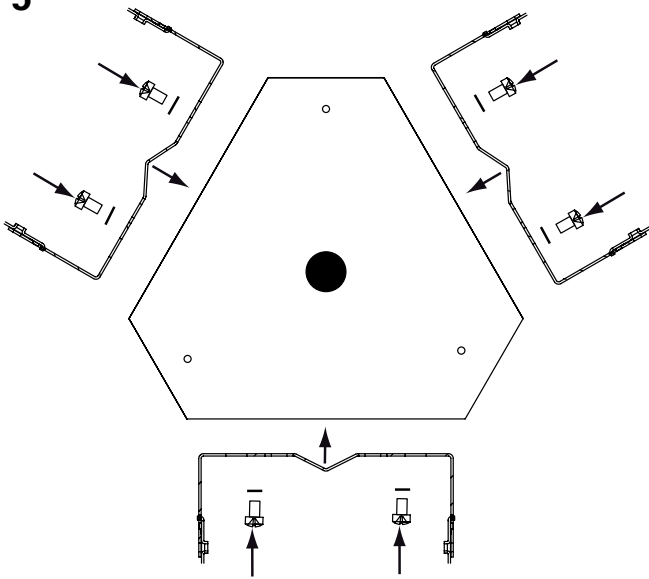
3



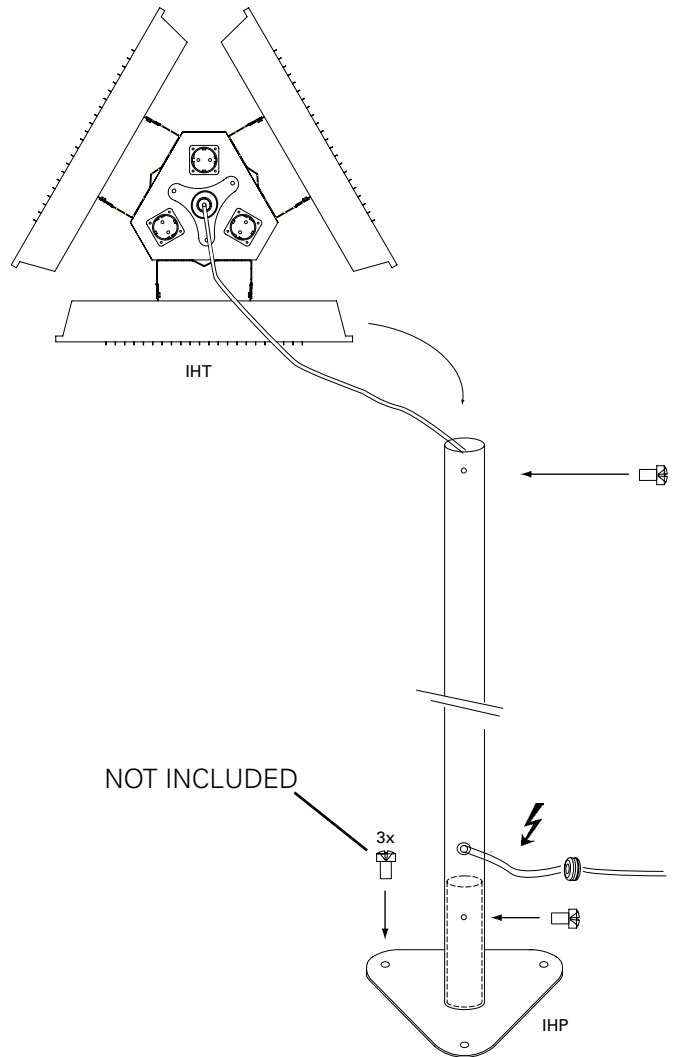
4



5



6



**Main office**

Frico AB  
Box 102  
SE-433 22 Partille  
Sweden

Tel: +46 31 336 86 00  
Fax: +46 31 26 28 25  
mailbox@frico.se  
www.frico.se

**For latest updated information and information  
about your local contact: [www.frico.se](http://www.frico.se)**