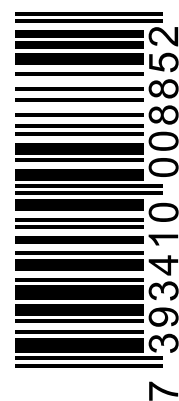
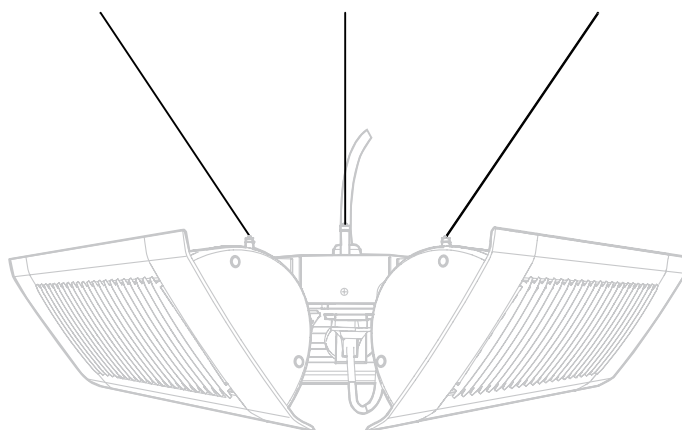
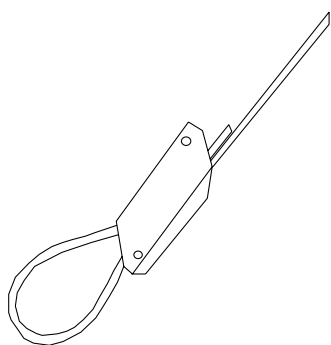


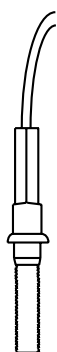
**Wire kit
IHTW
16974**



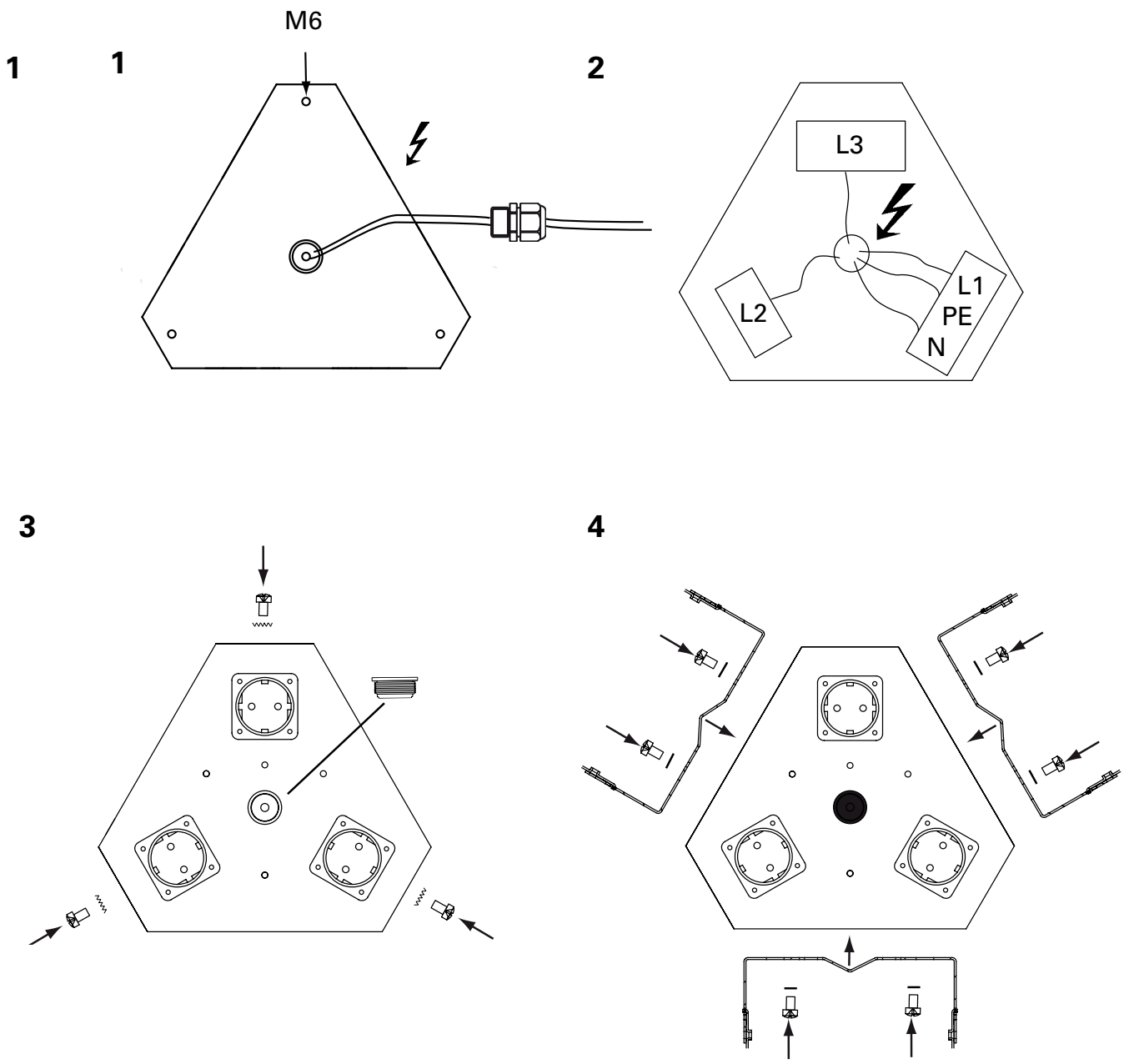
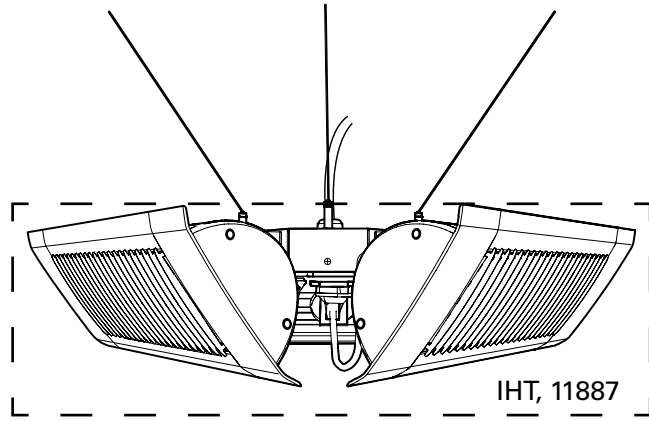
SEG 85 701 40



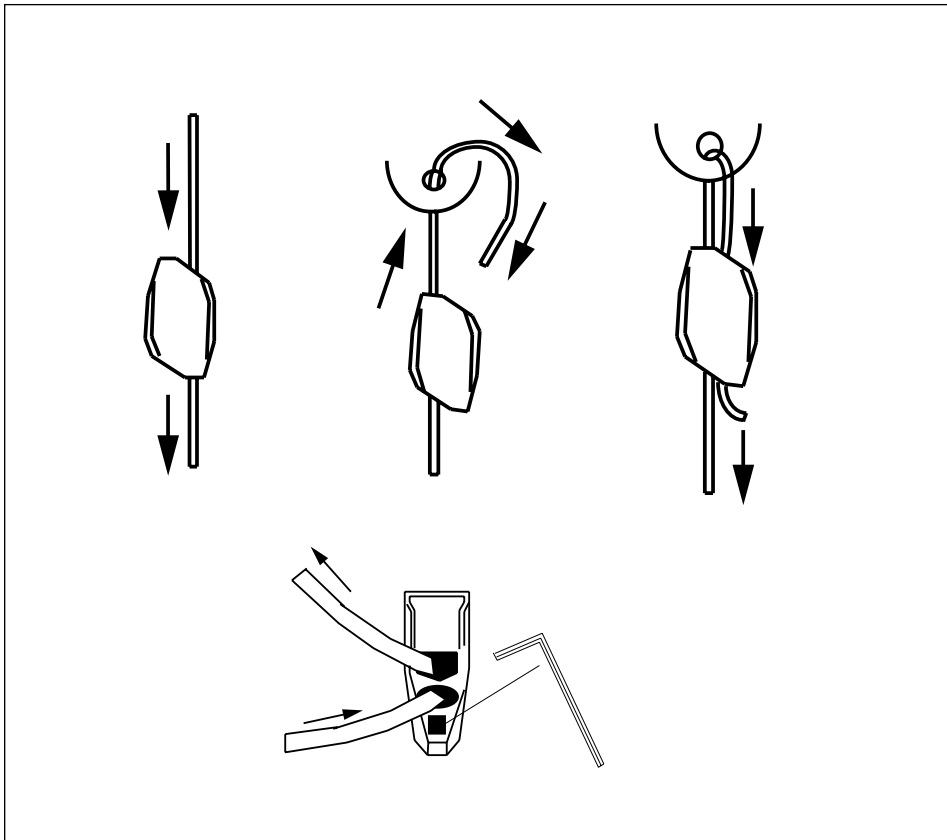
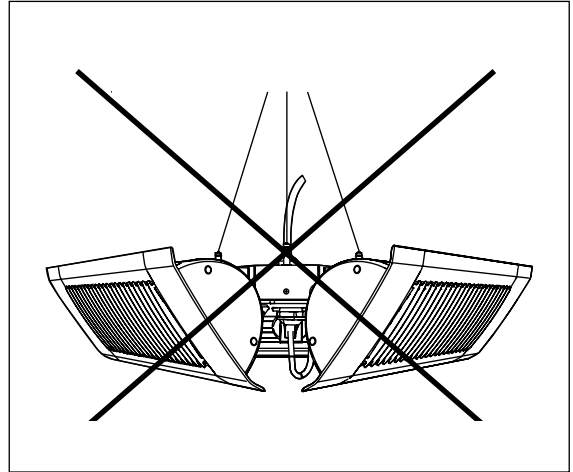
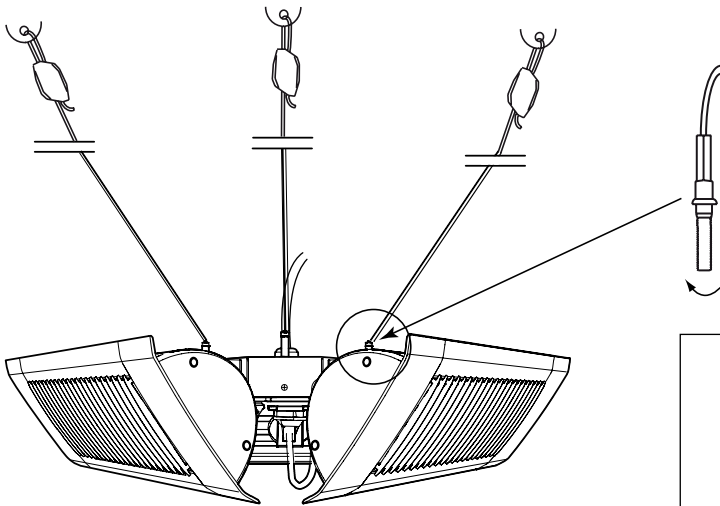
x3



x3



5



Main office

Frico AB
Box 102
SE-433 22 Partille
Sweden

Tel: +46 31 336 86 00
Fax: +46 31 26 28 25
mailbox@frico.se
www.frico.se

For your local contact: www.frico.se